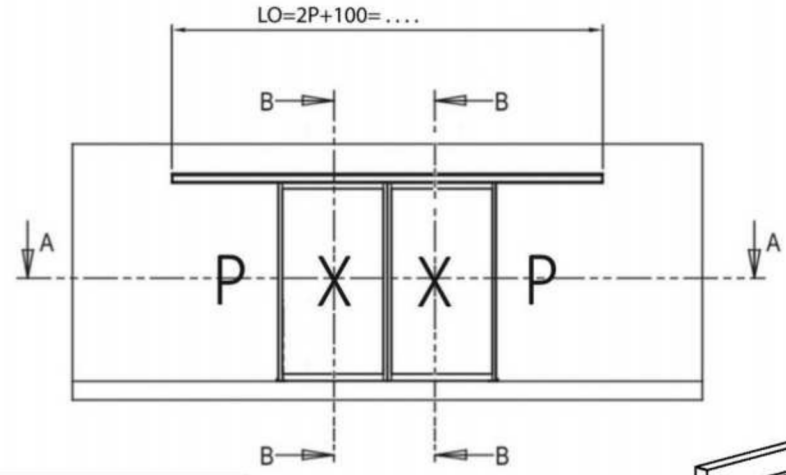
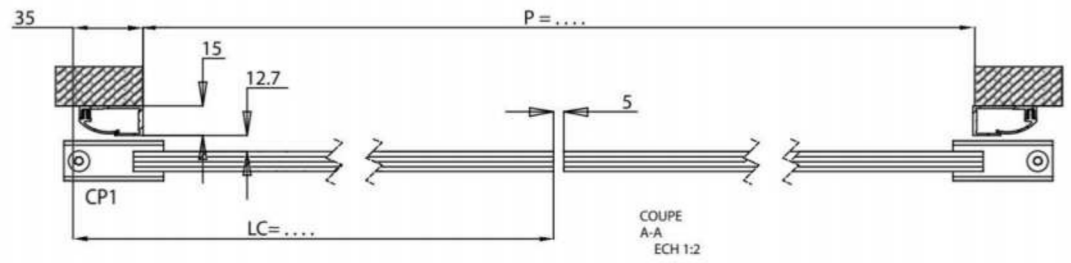
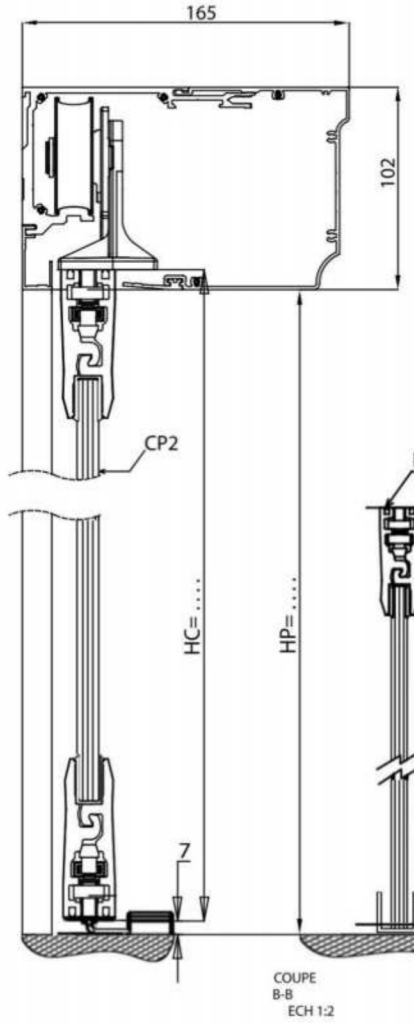


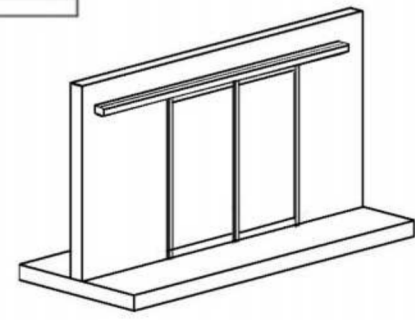
TINA COULISSANTE DOUBLE R35MM AVEC LUMINA PRESS - MONTAGE EN APPLIQUE
 DOUBLE SLIDING TINA 35MM OVERLAP + SIDE SCREEN WITH LUMINA PRESS - SURFACE APPLIED MOUNTING

Puertas & Portones Automáticos, S.A. de C.V.
 ¡Nuestra pasión es la Solución!...

GAMME TINA COULISSANTE LUMINA / SLIDING TINA LUMINA



$HC = HP + 3 = \dots$
 $LC = \frac{1}{2} P + 32.5 = \dots$
 $h_v = HC - 55 = \dots$
 $l_v = LC = \dots$
 $h_v = HC - 110 = \dots$
 $l_v = LC = \dots$



X CORREDIZA
 O FIJO
 P PARED
 S ANTIPANICO



(229) 365-5662
 portonesautomaticos@adsver.com.mx
 portonesautomaticos@prodigy.net.mx



TINA
 G D LUMINA PRESS R35 PE 07485-